

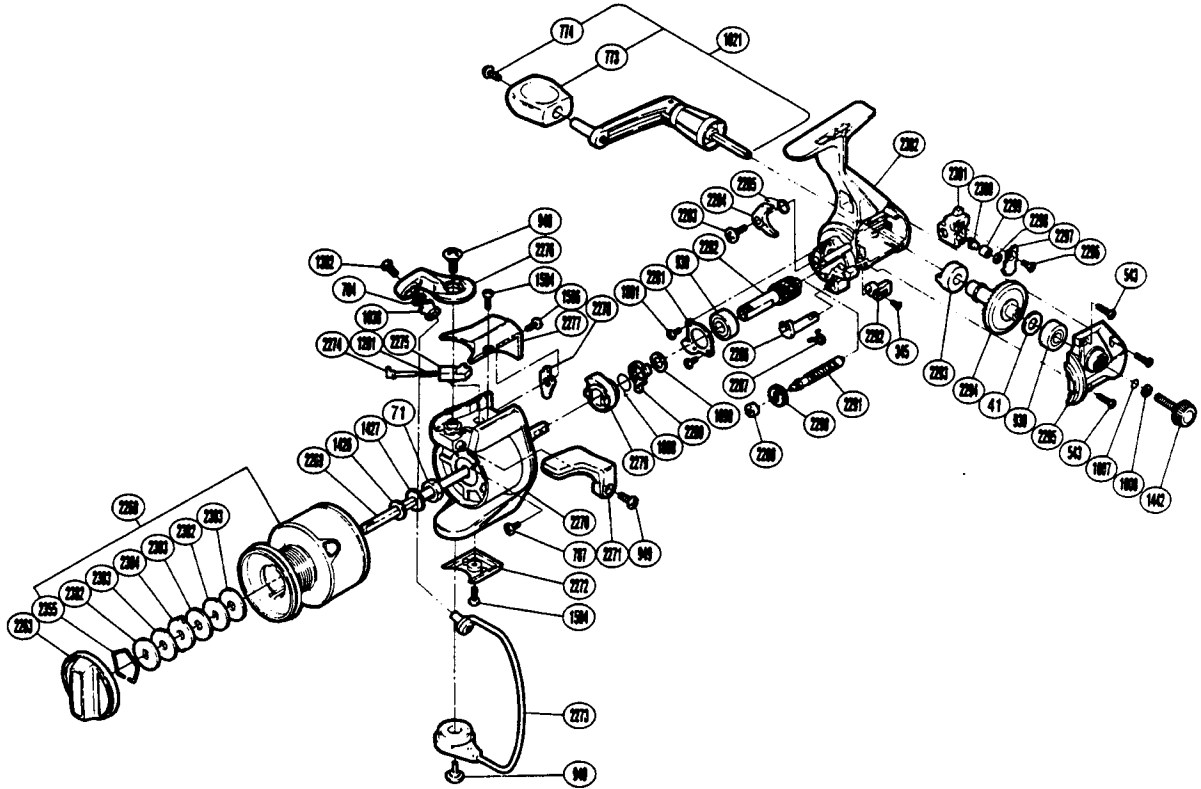
# EXPLODED PARTS VIEW



# SHIMANO®

## 1990 REPAIR MANUAL

Shimano American Corporation, One Shimano Dr.  
Irvine, CA 92718



**TO ORDER: USE RD PREFIX  
WITH PART NUMBER**

### PARTS LIST

RD #	DESCRIPTION	RD #	DESCRIPTION	RD #	DESCRIPTION
0041	Drive Gear Washer	1888	Anti-Reverse Lock Out Spring	2285	Anti-Reverse Pawl Spring
0071	Rotor Nut	1890	Bushing Washer	2286	Anti-Reverse Cam
0345	Anti-Reverse Lever Screw	1891	Multi Purpose Screw	2287	Anti-Reverse Cam Spring
0543	Side Cover Screw [B]	2263	Drag Knob	2288	Worm Bearing
0773	Handle Knob	2268	Spool Assembly	2290	Idle Gear
0774	Handle Knob Screw	2269	Main Shaft	2291	Worm Shaft
0784	Line Roller Washer	2270	Rotor	2292	Anti-Reverse Lever
0787	Nut Lock Screw	2271	Quick-Fire II Trigger	2293	Drive Gear Bushing
0930	Ball Bearing	2272	Rotor Side Cover	2294	Drive Gear
0940	Bail Trip Cam Screw	2273	Bail Assembly	2295	Side Cover
0949	Trigger Screw	2274	Bail Spring Guide (A)	2296	Slider Retainer Screw
1007	Lock Washer Retainer	2275	Bail Spring Guide (B)	2297	Oscillating Pawl Cover
1008	Handle Lock Washer	2276	Bail Arm	2298	Spacer
1021	Handle Assembly	2277	Bail Spring Cover	2299	Oscillating Slider Bushing
1038	Sic Ceramic Roller	2278	Bail Trip Lever	2300	Oscillating Pawl
1201	Bail Spring	2279	Anti-Reverse Ratchet	2301	Oscillating Slider
1302	Line Roller Screw	2280	Anti-Reverse Lock Out	2302	Body
1426	Spool Washer	2281	Bearing Retainer	2355	Drag Washers Retainer
1427	Spool Support	2282	Pinion Gear	2382	Key Washer
1442	Handle Screw Cap	2283	Anti-Reverse Pawl Screw	2383	Drag Washer
1504	Bail Hold Cover Screw	2284	Anti-Reverse Pawl	2384	Eared Washer
1506	Bail Spring Cover Screw				